

new



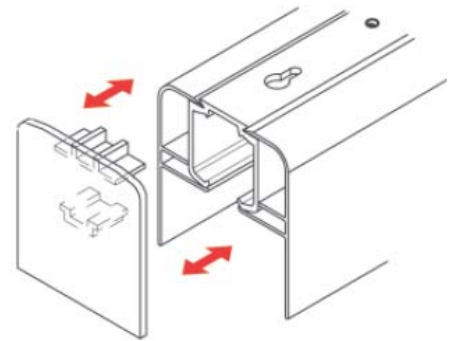
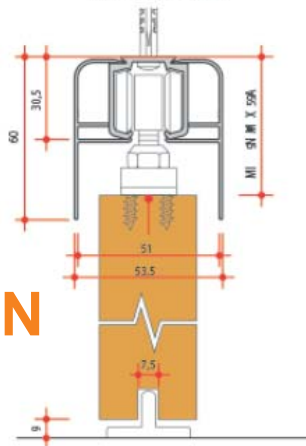
2Way Soft Close Sliding For Wooden Door



2-Way Soft Close Sliding Fittings

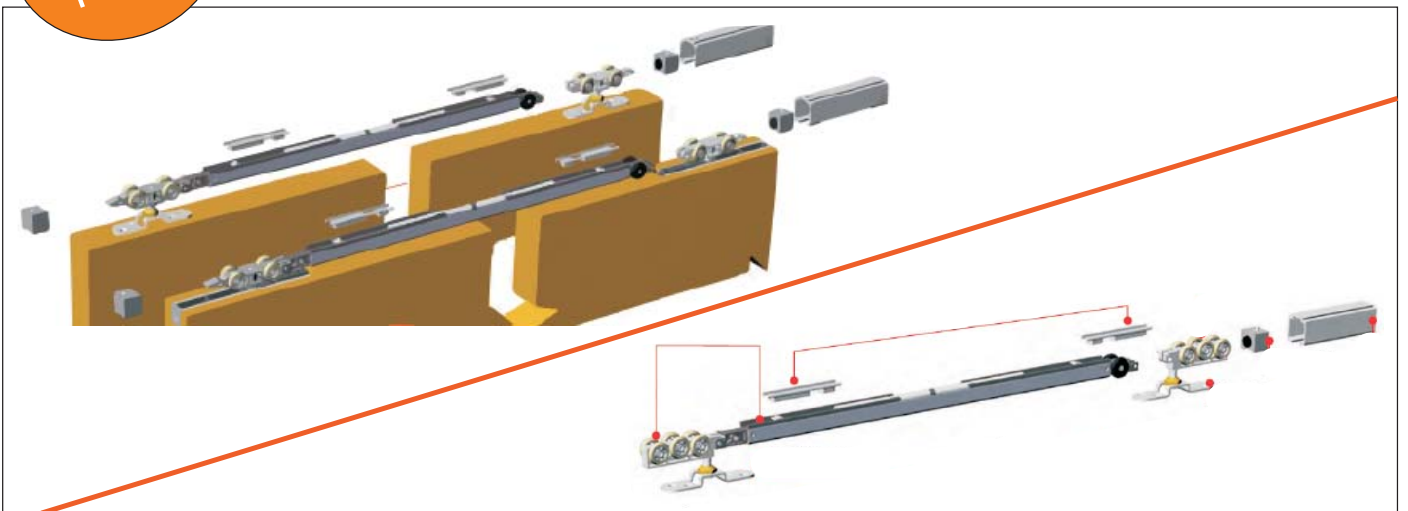
Item Code	Description
10129	2 Way soft close for 100Kg Wooden Door
Compatible Track	
2731	UPPER Natural Aluminium Track Length - 4Mtr/2Mtr

CIE MOUNTING WITH ALU. PELMET



NEW VERSION

MAX 100Kg.





BENZOVILLE
HARDWARE

www.benzoville.com



BUY HARDWARE ONLINE

Delhi Showroom :

Kotla : 59-B, Timber Market, Kotla Road, (Nr.Jawala Prasad & Co.)
(Opp. Defence Colony) New Delhi - 110 003, INDIA
Ph. : 011 - 24655704, 41554595, 65653041 (M) 9310406150,40
Email- Id - uniqueinnovations@gmail.com

Kirti Nagar :

C- 14/1, Mansarower Garden, Kirti Nagar, New Delhi - 110015
Ph. : 011- 41070145,46 (M) 9310406143, 9310406140
Email- Id - uniqueinnovations3@gmail.com

Gurgaon Showroom :

117, Grand Mall, M.G. Road, Gurgaon
Ph : 91-124-4375376, (M) 9310406140
Email- Id - uniqueinnovations2@gmail.com